

Abella™ Advanced Programming Mode

Abella Dimmers contain Advanced Programming Mode [APM] features that allow a users to customize a control to meet a specific need. This document serves as a supplement to the instruction sheet. Before entering Advanced Programming Mode, it is important to have a good understanding of the features included.

Explanation of Advanced Dimmer Features

- 1. Preset Options:** The user has two options for the preset light level on the Dimmer: Locked Preset and Unlocked Preset.

Locked Preset: When programmed for a locked preset, the dimmer will always turn on to the predetermined locked light level anytime the dimmer is turned on with a single tap of the Tap Button (ON/OFF).

Unlocked Preset: When programmed for an unlocked preset, the dimmer will turn on to the light level that it was adjusted to the previous time the light was on.

Explanation

If the Dimmer is always to come on to the same light level when the Dimmer is turned on, then the locked preset option should be chosen. Remember that the Tap Button can be double tapped when the lights are to come on to full intensity. If it is important that the light returns to the light level previously used, the the unlocked preset option should be chosen.

- 2. ON Fade Time:** The user has options for how quickly the lights fade up when the dimmer is turned on. These options include fade times from off to maximum light output in as fast as 0.5 seconds and as slow as 5 seconds.

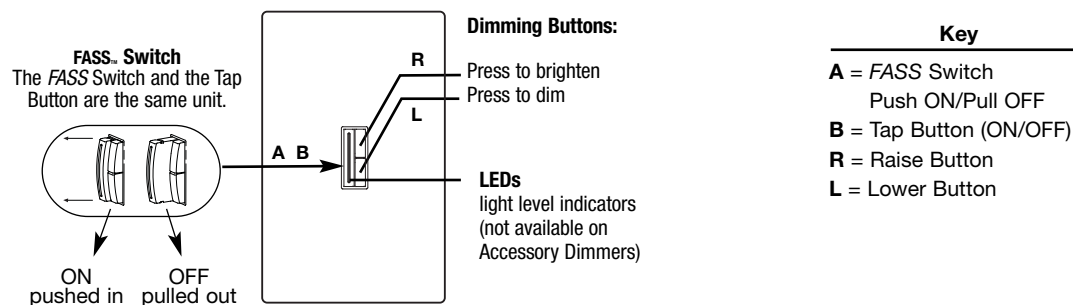
Explanation

Quicker fade times are more practical and slower fade times are thought to be more elegant. If the light that is controlled by the dimmer is the first or only light that will be turned on in a particular room, most people find it advantageous to use a faster rate so that the room is immediately illuminated. Art lighting or other accent lighting is often more pleasing with a slow fade time.

- 3. OFF Fade Time:** The user has options for how quickly the lights fade down when the dimmer is turned off. These options include fade times from maximum light output to off as fast as 1.5 seconds and as slow as 15 seconds.

Explanation

Having the lights fade off slowly can be very useful, leaving the room while the lights are still on is very comforting. How quickly the lights should fade off is typically a question of personal preference. Keep in mind that it may appear that the light is not turning off as expected if a fade time of 6 seconds or longer is selected. This could be confusing to a visitor or guest.



Important Notice:

To replace the bulb, power may be conveniently removed by pulling the FASS switch (FASS - Front Accessible Service Switch) out on both the dimmer and any accessory dimmers.

For any procedure other than routine bulb replacement, power must be disconnected at the main electrical panel.

Using Advanced Programming Mode

Advanced Programming Mode consists of two modes of operation that the user can interact with. The Main Menu Mode allows the user to select the feature that is to be modified. The Selection Mode allows the user to change the setting of the feature that is selected in the Main Menu Mode.

Note: Once a feature is modified, that modification is immediately saved.

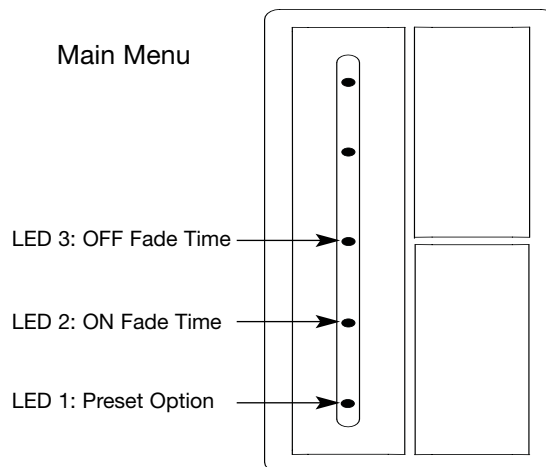
There is a step by step example on page 5.

Entering Main Menu Mode

Please refer to picture on the front page.

1. Pull the *FASS* Switch out to the OFF position.
2. Push the *FASS* Switch in to the ON position while continuing to hold the *FASS* Switch for approximately 5 seconds.
3. The bottom LED will begin to blink to indicate that Advanced Programming Mode has been entered.

Note: If there is no activity for 1 minute, the dimmer will automatically exit Advanced Programming Mode.



Selecting a Preset Option

Select Locked Preset:

1. While in Main Menu Mode, press the Raise/Lower Button until LED 1 blinks. Press the Tap Button once to modify the Preset option.
2. Press the Raise/Lower button to adjust the light level to the desired Locked Preset. The quickly flashing LED will move up and down as the preset is changed. The light will get brighter or dimmer to reflect the Locked Preset level as this feature is adjusted.
3. Press the Tap Button once to save the Preset level and to return to the Main Menu Mode.

Select Unlocked Preset:

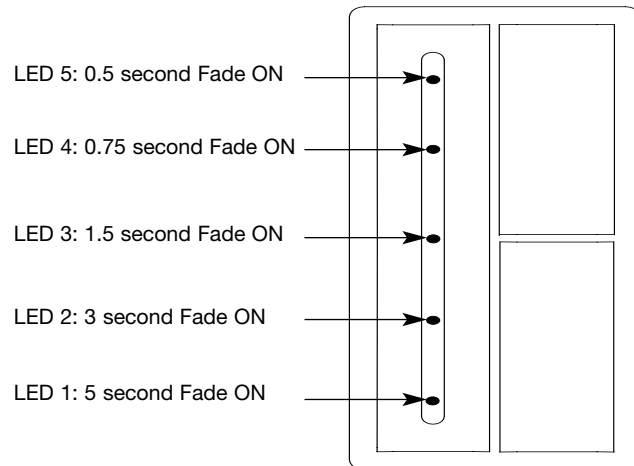
1. While in Main Menu Mode, press the Raise/Lower button until LED 1 blinks. Press the Tap Button once to modify the Preset option.
2. Press the Lower Button until the quickly flashing LED stops flashing. Please note that the light will remain at its minimum output.
3. Press the Tap Button once to save the setting and to return to the Main Menu Mode.

Note: The default setting is an Unlocked Preset.

Selecting the ON Fade Time

1. While in Main Menu Mode, press the Raise/Lower Button until LED 2 blinks. Press the Tap Button once to select the ON Fade Time.
2. A quickly flashing LED indicates the current Fade Time (refer to picture below).
3. Press the Raise/Lower Button to adjust the quickly blinking LED to the position that represents the desired fade time.
4. Press the Tap Button once to save the setting and to return to the Main Menu Mode.

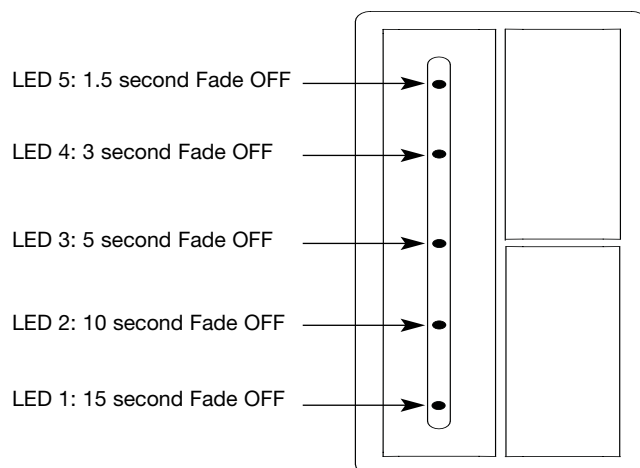
Note: The default ON Fade Time is 3 seconds. The fade speed for Raise and Lower operations are unaffected by any ON Fade Time modification.



Selecting the OFF Fade Time

1. While in Main Menu Mode, press the Raise/Lower Button until LED 3 blinks. Press the Tap Button once to select the OFF Fade Time.
2. A quickly flashing LED indicates the current fade time (refer to picture below).
3. Press the Raise/Lower Button to adjust the quickly blinking LED to the position that represents the desired fade time.
4. Press the Tap Button once to save the setting and to return to the Main Menu Mode.

Note: The default OFF Fade Time is 3 seconds. The fade speed for Raise and Lower operations are unaffected by any OFF Fade Time modification.



Exiting Main Menu Mode

1. Press and hold the Tap Button for approximately 4 seconds to exit the Main Menu.

Note: An alternate method is to pull the *FASS* Switch out, wait approximately 2 seconds, and then push the *FASS* Switch in.

Restoring Factory Defaults

To return the dimmer to its original factory settings, please do the following:

1. Pull the *FASS* Switch out to the OFF position.
2. Push the *FASS* Switch to the ON position and hold for approximately 12 seconds.
3. When the dimmer resets and fades to the maximum light level, the unit has been successfully restored to its factory defaults.

Factory Defaults

Unlocked Preset allows the Dimmer to turn on to the light level used the previous time the light was turned on.
ON Fade Time from off to the maximum light level is 3 seconds.
OFF Fade Time from the maximum light level to off is 3 seconds.

Dimmer Step by Step Example

As an example, a dimmer is to be programmed with the following settings:

A locked preset at 50% light level.

The lights fade on to the maximum light level from OFF in 0.75 seconds.

The lights take 10 seconds to fade OFF from the maximum light level.

Step 1: Entering Advanced Programming Mode.

1. Pull the *FASS* Switch out to the OFF position.
2. Push the *FASS* Switch in to the ON position and hold for approximately 5 seconds.
3. Once a blinking LED is seen, release the *FASS* Switch.

Step 2: Selecting Preset Option as the feature to be modified.

1. LED 1 should be blinking. If not, press the Lower Button until LED 1 blinks.
2. Press the Tap Button once to enter Preset Selection Mode.

Step 3: Adjusting the Locked Preset light level.

LED blinks at a faster rate to indicate that Selection Mode has been entered.

1. Press the Raise Button once to ensure that the preset will be locked (a blinking LED should be seen).
2. Press the Raise/Lower Button until the light is at mid-level (LED 3 should be blinking) to set the locked preset at 50% light level.
3. Press the Tap Button once to save the setting and to return to the Main Menu Mode.

Step 4: Selecting ON Fade Time as the feature to be modified.

LED blinks at a slower rate to indicate that Main Menu Mode has been entered.

1. Press the Raise Button once until LED 2 starts blinking.
2. Press the Tap Button once to enter ON Fade Time Selection Mode.

Step 5: Adjusting the ON Fade Time.

LED blinks at a faster rate to indicate that Selection Mode has been entered.

1. Press the Raise/Lower Button until LED 4 blinks to make the lights fade from OFF to the maximum light level in 0.75 seconds.
2. Press the Tap Button once to save the setting and to return to the Main Menu Mode.

Step 6: Selecting OFF Fade Time as the feature to be modified.

LED blinks at a slower rate to indicate that Main Menu Mode has been entered.

1. Press the Raise Button once until LED 3 blinks.
2. Press the Tap Button once to enter OFF Fade Time Selection Mode.

Step 7: Adjusting the OFF Fade Time.

LED blinks at a faster rate to indicate that Selection Mode has been entered.

1. Press the Raise/Lower Button until LED 2 blinks to make the lights take 10 seconds to fade to OFF from the maximum light level.

Step 8: Exiting Advanced Programming Mode.

1. Press and hold the Tap Button for approximately 4 seconds to save the setting and to exit Advanced Programming Mode.

Once the LED stops blinking, the dimmer will return to its normal operating mode and all settings will be saved.

Worldwide Technical and Sales Assistance

For assistance call the toll-free **Lutron Technical Support Center**. Please provide exact model number when calling.

24 hours/day + 7 days/week

1-800-523-9466 (U.S.A. and Canada)

Other countries call +1-610-282-3800

Visit us on the web at www.lutron.com

Lutron Electronics Co., Inc.
7200 Suter Road
Coopersburg, PA 18036-1299 U.S.A.
Phone: +1-610-282-3800
Fax: +1-610-282-3090

The products described in this application note may be covered under the following U.S. patent: 7,190,125; and corresponding foreign patents. Other U.S. and foreign patents may be pending.

Lutron is a registered trademark and FASS and Abella are trademarks of Lutron Electronics Co., Inc.

© 2007 Lutron Electronics, Co., Inc.

**Need additional assistance? Call the Lutron Technical Support Center 1-800-523-9466.
Please provide exact model number when calling.**

Lutron Electronics Co., Inc.
7200 Suter Road
Coopersburg, PA 18036-1299 U.S.A.
Made and printed in U.S.A. 9/07 P/N 048-212 Rev. A